



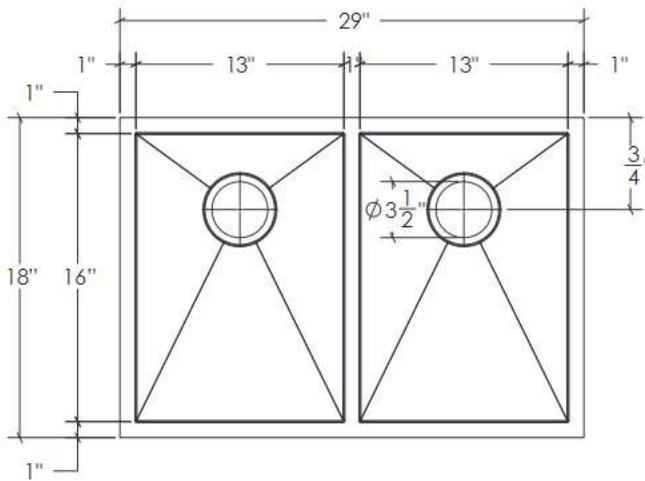
## KS-002

### FEATURES:

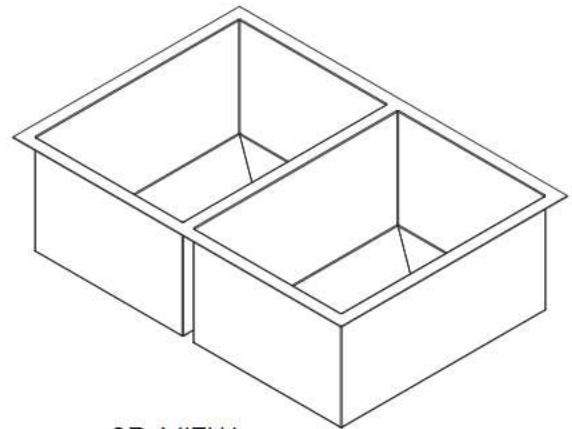
- \* Sink Size: 29" x 18" x 9 1/4"
- \* Material: 304 Stainless Steel, 18 Gauge
- \* Chrome Nickel content 18 / 10
- \* Double Basin Undemount 0 Radius Sink
- \* Strainer Drain Provided
- \* Warranty: Limited Lifetime Warranty

### CODES / STANDARDS APPLICABLE

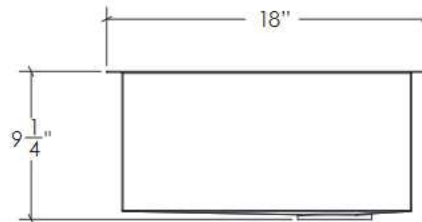
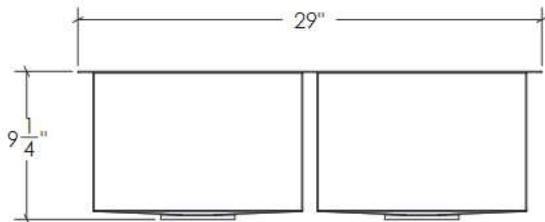
- \* CSA B45
- \* ASME A112.19.2



TOP VIEW



3D VIEW



## JOB INFORMATION:

Job Name \_\_\_\_\_  
Date Specified \_\_\_\_\_  
Contractor \_\_\_\_\_

\* Specifications and drawings provided on this sheet are for illustration only. Cantrio Koncepts will not be held responsible for cutouts made without the actual product or product template.